

# FastCAM® EDITOR

## DRAW, IMPORT & EDIT PARTS FOR NC



### Best Fit for Metal Fabricators

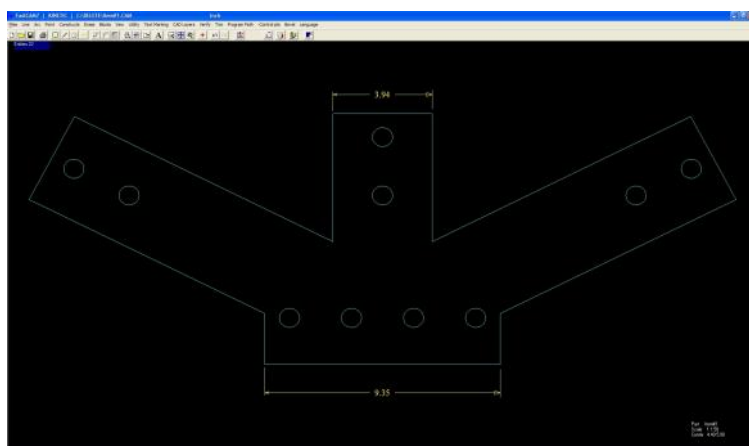
### AN EASY ALTERNATIVE TO COMPLEX CAD SYSTEMS

The FastCAM® Drawing Editor is a purpose built CAD-like software program, designed for high speed production of line drawings. It has been specifically developed for reproduction (takeoff) of traditional drawings suitable for Processing and Nesting via NC controlled, two dimensional cutting equipment such as Oxy, Plasma, Laser and Waterjet.

The FastCAM® Drawing Editor has been designed so that all functions are intuitive and obvious, making it extremely easy to use. Engineers, Tradesmen and Draftsmen will find the system both powerful and simple whilst providing all the functions necessary to produce any shape for profile cutting.

#### HIGHLIGHTS:

- DRAW 2D PARTS OR IMPORT CAD FILES
- PC-BASED (OFFLINE)
- SIMPLE OPERATION
- DESIGNED FOR NC CUTTING
- NC OUTPUT VERSION AVAILABLE
- PATHING, NESTING & NC VERIFICATION AVAILABLE IN FASTCAM® SYSTEM
- INCH & METRIC
- MICROSOFT WINDOWS



FastCAM® is much easier than CAD and is purpose built for NC cutting.

Create or Import Parts Instantly!

Interpret, clean and compress CAD files for precision cutting.

Convert vector PDF files to drawing (CAM) files.

#### Features:

Full CAD functionality—Lines, Arcs, Points, Block, Copy, Flip, Array, Stretch etc

Imports- DXF, DWG, IGES, DSTV, StruCAD, PDF files.

Interprets CAD layers

CAD Clean—removal of redundant or duplicate entities

CAD Compress—Automatic entity reduction and fairing

Outputs (Fast)CAM, DXF and IGES files

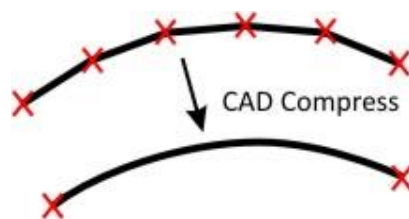
Multi process support—marking, drilling, tapping etc

\*Full compatibility with all CAD and CAM systems but no other programs required.

### POWERFUL CAD INTERFACE FOR PRECISE CNC CUTTING

FastCAM® can handle incoming DXF as well as native CAD file formats. It offers automatic CAD clean, CAD fix, CAD compress & other CAM functionality missing in most CAD drafting systems. Our CAD interface works with a single click to fix breaks, holes and overlaps in the drawing. If the geometry you have been supplied in your CAD file contains gaps or overlapping lines or has poorly constructed shapes, FastCAM® can clean up these deficiencies and find potential stoppage issues before they reach the cutting floor.

Even very small lines can be automatically blended with true arcs. CAD files sizes can often drop 80-90% which results in better cut quality.



Full connectivity verification to find and fix breaks, holes and overlaps in imported CAD drawings.

Eliminates 'jerky' machine movements from 'dirty' CAD files.

*FastCAM has been supplying PC-based software for Burning, Shearing and Sawing/Drilling machines for over 25 years. The flagship product FastCAM® offers unique integrated postprocessors, NC verification and NC code nesting that still sets it apart from other CAM and CAD/CAM systems. The new generation of FastCAM® software is used in many countries, in many languages and in many different environments.*

*Today the product line has been expanded to include dozens of trademarked products offering a wide range of solutions for glass, timber and metal fabrication. FastCAM has OEM and Business Partners in North America, South America, China, Australia, New Zealand and Europe (Poland, UK, Czech, Hungary). We welcome all enquiries.*

## FASTCAM WORLDWIDE OFFICES

FastCAM Inc.—USA

8700 West Bryn Mawr,

Suite 730 South,

Chicago, 60631 3507

Phone: 312 715 1535

Fax: 312 715 1536

fastcam@fastcam.com

FastCAM Pty. Ltd.—Asia Pacific

96 Canterbury Road,

Middle Park, Victoria, 3206,

Australia

Phone: 61 3 9699 9899

Fax: 61 3 9699 7501

fastcam@fastcam.com.au

FastCAM— China

Bldg 19, No. 498 Guoshoujing Road,

Pudong Software Park,

Pudong, Shanghai, 201203

Phone: 8621 5080 3069

Fax: 8621 5080 3071

fastcam@fastcam.cn

## www.fastcam.com

FastCAM® works with all popular flame, plasma, laser and water jet NC cutting equipment including BURNY, EDGE, LYNX, FastCNC, HYPERTHERM, FAGOR ANCA, NUM, PDF32, SIEMENS, SYSTEM32, 40, numerical control system, and CIGWELD ESAB, MESSER, KOIKE, TANAKA, FARLEY, 3000 etc . Refer to our web site for a full listing.

## Other Products by FastCAM:

The following are separate programs that can be purchased independently:

**FastCAM®** - CAD compatible CAM system with nesting and integrated posts.

**FastCUT® for Shears & Saws**— Rectangular, Linear and Cut to Length optimization for guillotines.

**FastCAM® QE**—Quotation system with optimization for steel profiles and long products. Complete system for Steel Service Centers.

**FastCAM® MTO**—Capture steel take-off data electronically.

**FastSHAPES®** - Develop heavy plate metal transitions. E.g. Square to Round patterns.

**Tradesman in a Box™** - Develop heavy plate metal transitions for manual layout/lofting.

**FastFRAME® and FastPIPE™** — Tubular and Pipe Development programs for heavy steel.

**FastBEAM™** —Beam & Drill Line programming system for structural.

**FastCOPY®** —Digitize engineering parts and templates to DXF format.

**FastLINK™** —Speed DNC download from PC to cutting machine.

**FontGEN**—Convert fonts to DXF.

**Outline**—Convert images to DXF.

**FastTRACK®** -Remnant Tracking for Processed (Cut) Plate.

**FastCAM® QE™**  
'QUOTE EVERYTHING'  
OPTIMIZED ESTIMATES FOR THE SUPPLY OF PROCESSED STEEL  
BURNING • SHEARING • SAWING • DRILLING  
FastCAM®

The graphic features a central glowing point with lines radiating outwards to various industrial scenes: a cutting machine, a shearing machine, a sawing machine, and a drilling machine. The background is a dark blue grid with glowing blue lines and dots, suggesting a digital or data-driven environment.



[www.youtube.com/user/FastCAM Service/](http://www.youtube.com/user/FastCAM%20Service/)